



PERFORMANCE EVALUATION OF DIRECTION OF ARRIVAL ESTIMATION AND BEAMFORMING ALGORITHM IN STATIC SCENARIO

¹D. D. Khumane ²S. M. Jagade ³V.M. Mhalgi

¹Research Scholar, National Institute of Electronics & Information Technology, Aurangabad, India.

²Department of Electronics and Telecomm. Engineering, S.T.B. College of Engineering, Tuljapur, India

³Department of Computer Science and Engineering, S.T.B. College of Engineering, Tuljapur, India
¹dkhumane@gmail.com ²smjagade@gmail.com ³vijay.mhalgi@gmail.com

Abstract

This paper presents simulation results for a smart antenna system based on direction of arrival estimation and beamforming. Direction of arrival (DOA) estimation is based on the PM algorithm for identifying the directions of the desired signals and the null steering beamformer adapts the antenna pattern to steer the main beam towards the desired user and nullify all other interference. This system can be used to reduce multipath and co-channel interference. These benefits include the enhancement of coverage and the channel capacity, lower transmitted power, better signal quality, higher data rate and providing value-added services such as user's position location (PL) and at the same time to minimize interference arising from other user by introducing nulls in their direction. Also this paper deals with adaptive beam forming approach for the dynamic case based on smart antennas and adaptive algorithms used to compute the complex weights like Least Mean Square (LMS) algorithm.

Keywords: Smart Antenna Technology, Beamforming, Direction-of-Arrival (DOA) Estimation, Multiple Signal classification (MUSIC), PM (Propagator Method), Least Mean Square (LMS).

I. INTRODUCTION

There is an ever increasing demand on mobile wireless operators to provide voice and high speed data services. At the same time, these operators want to support more users per

base station to reduce overall network cost and make the services affordable to subscribers. As a result, wireless systems that enable higher data rates and higher capabilities are pressing need. Unfortunately because the available broadcast spectrum is limited, attempts to increase traffic within a fixed bandwidth create more interference in the system and degrade the signal quality. When omni-directional antennas are used at the base station, the transmission and reception of each users signal becomes a source of interference to other users located in the same cell, making the overall system interference limited.

The demand for wireless services has risen dramatically from few years. Wireless communication systems are evolving from the second generation systems to the third and fourth generation systems, which will provide high data rate multimedia services as video transmission. New value added services such as the position location (PL) services for emerging calls, the fraud detection, intelligent transportation systems, and so fourth are also coming in to reality[1,2,3].

The smart antenna systems can generally be classified as either switched beam or adaptive array systems. In a switched beam systems can generally be classified as either switched beam or adaptive array systems. In a switched beam system multiple fixed beams in predetermined directions are used to serve the users. in this approach the base station switches between several beams that gives the best performance as the mobile user moves through he cell. Adaptive beam forming uses antenna arrays backed by strong signal process capability to

automatically change the beam pattern in accordance with the changing signal environment. It not only directs maximum radiation in the direction of the desired mobile user but also introduces nulls at interfering directions while tracking the desired mobile user at the same time. The adaptation achieved by multiplying the incoming signal with complex weights and then summing them together to obtain the desired radiation pattern. These weights are computed adaptively to adapt to the changes in the signal environment. The complex weight computation based on different criteria and incorporated in the signal processor in the form of software algorithms like Least Mean Square. [6]

A smart antenna technology can achieve a number benefits like increase the system capacity, greatly reduce interference, increase power efficiency [4, 5]. In the following section we review on the smart antenna technology with the help of simulation by using MATLAB.

II. BASICS OF DOA ESTIMATION AND BEAMFORMING

Since most RF antennas amplifiers, mixers, filters and ADC technologies have reached a mature state, accurate estimation of the angle of arrival of signals impinging an array of antennas becomes the most important parameter regarding the performance of an adaptive array. Assuming a linear and isotropic transmission medium, multiple impinging wave fronts can be modeled as the superposition of these wave fronts impinging on the array. It is therefore necessary for the DOA estimation algorithm to be able to resolve impinging and often fully coherent wave fronts into their respective DOA's. Many DOA estimation algorithms exist, but only a few have found use in smart antennas i.e. conventional methods, linear prediction methods, eigenstructure methods and estimation of signal parameters via Rotational invariance techniques (ESPRIT) [6]. All these methods are based on the digital beamforming (DBF) antenna array. Signals received by individual antenna elements, are down converted to base band signal then they are digitized and fed into a digital signal processing (DSP) chip where the DOA estimation algorithm is executed. In this paper we take a brief review on the DOA estimation using PM algorithm for finding the PL and LMS algorithm uses the estimate of the

gradient vector from the available data. LMS algorithm is important because of its simplicity and ease of the computation.

The delay and sum beamformer is attractive because of its simplicity and ease of implementation. The limiting factor method is that though it can steer its main beam it has no control over its side lobes. The solution to this problem is the null steering beamformer also minimize the signal to interference ratio.

And for direction of arrival estimation (DOA) and beamforming would like to simulate Estimator and beamformer as follows fig.1.

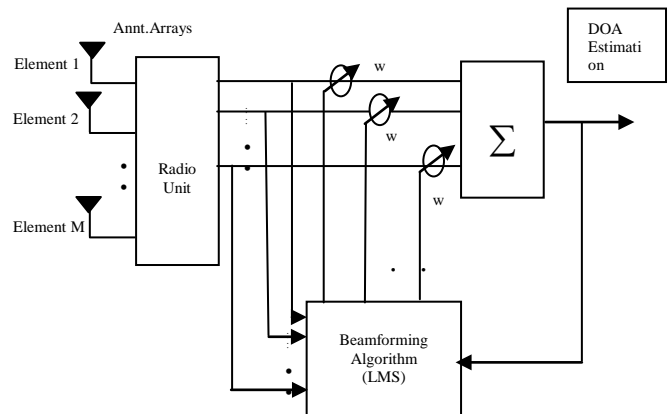


Fig. 1 Proposed Model for Propagator method for DOA estimation and beamforming [9]

This method may be creates the radiation pattern of the antenna array in the desired direction and by nulling the pattern in the unwanted directions. This method in theory should minimize the signal to interference ratio.

III. SIMULATION STUDY AND RESULTS

The simulation is developed in MATLAB the following parameters are used for the DOA estimation. First set the noise properties SNR=10dB antenna properties, M=8 number of elements in antenna array, N=100 number of times steps, dt and t are the length of time step and time vector. Then set the incoming signal properties, L=5 number of incoming signals, $f_0 = 1 \times 10^9$ incoming signal frequency, Fig. 2. Shows the power spectrum versus the azimuth angle for the five coherent sources with DOA that are at some degree apart it is assumed that five coherent signals are received with azimuth DOA at 35, 75, 85, 105 and 135 and a SNR of 10dB for all sources. , and the unknown noise is in complex symmetric form. It becomes clear that the proposed algorithm gives accurate DOA estimations for all sources that gives

accurate peak at set amplitude and phase then round up the data noise. Calculate the matrix that content the antenna outputs

$$X(t) = A(\theta) * s(t) + n(t) \quad (1)$$

Where A=steering vector, s=signal received at first antenna. Then initialization of covariance matrix Rxx, then the PM spectrum are shown in fig. 2, these spectrums are randomly taken.

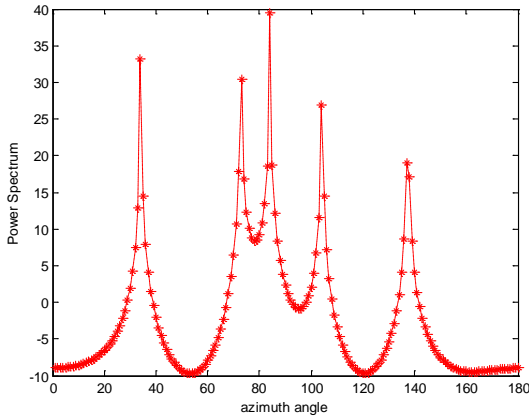


Fig. 2 power spectrum of DOA (azimuth) estimation

And for the beamformers simulation, set f_0 , and $d=0.5$ distance between antenna element, $M=5$ number of array elements, $L=1$ total number of desire users, set the additional variable like c - speed of light lambda-wavelength, k -wave number, then generate the normalized array factor and plot the radiation pattern, and user position, in fig.4 where a side lobe allows the interfering signal although attenuated to reach the receiver after the weights are applied and the solution is null steering. Fig. 3, here the desired user at the 100° and the respective NAF amplitude is shown here the user at $65^\circ, 35^\circ, 125^\circ$ & 150° is the interferer

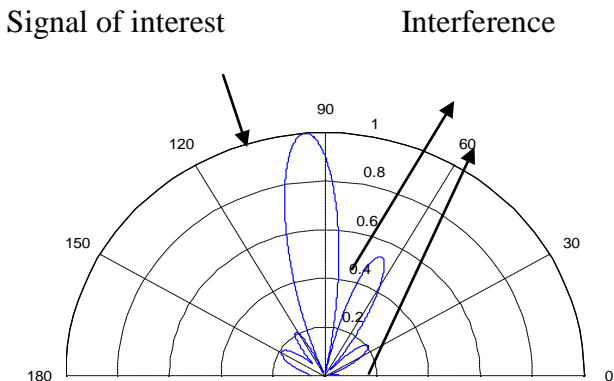


Fig. 3. Null steering beamformer

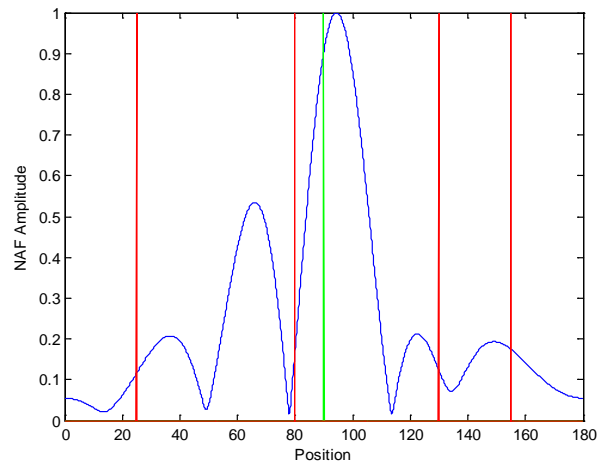


Fig. 4 PL and NAF amplitude.

IV. CONCLUSION

Here the simulation for the DOA estimation, compute a spatial spectrum then estimate DOA's. These methods apply weights to each element in the array so as to steer the antenna pattern towards a known look direction. Once a DOA is estimated, the beamformer adapts the antenna pattern to steer the main beam towards the desired user and place nulls in the unwanted direction.

It has advantage of analyzing the signals of arriving antenna array, using beams flexibly and optimistically reducing the probability of interfering and being interfered, enhancing frequency utilization efficiency, and improving system performance.

REFERENCES

- [1] T.S. Rappaport, J.H. Reed and B.D. Woerner, "Position location using wireless communications on highways of the future," IEEE Communication. Magazine, vol. 34, no.10, pp. 33-41, 1996.
- [2] G.V. Tsoulos, "Smart antennas for mobile communication systems: benefits and challenges," IEEE Electronic & Communication Engineering Journal, Vol 11, no.2 pp. 84-94, 1999.
- [3] K.J. Krizman, T.E. Biedka, and T.S. Rappaport, "Wireless position location: fundamentals, implementation strategies, and sources of error," in Proc. IEEE Vehicular Technology Conference, Vol 2 pp. 919-923, Phoenix, Ariz, USA, May 1997.
- [4] Tsoulos G.V. Meach MA. Swalas S.C. "Adaptive antennas for Third Generation DS-CDMA Cellular Systems", Proceedings of the

45th Vehicular Technology Conference, Vol 1, pp. 45-49, July 1995.

[5] Okamoto G.T. "Smart Antennas and Wireless LANS." Kluwer Academic Publishers, Norwell Mass., 2002

[6] Godara, L.C., "Application of Antenna Arrays to Mobile Communications, Part II: Beamforming and Direction-of Arrival Considerations," Proceedings of the IEEE, Vol. 85, No. 8 pp 1195 - 1245, August 1997.

[7] Ch. Santhi Rani, P.V. Subbaiah, K. Chennakesava and S Sudha Rani, "LMS and RLS Algorithms for Smart Antennas in a W-CDMA Mobile Communication Environment," ARPN Journal of Engineering and Applied Sciences" vol. 4, no.6, August 2009.

[8] Nizar Tayem and Hyuck M. Kwon , "L Shape 2- Dimensional Arrival Angle Estimation With Propagator Method" IEEE Trans. On Antennas and Propagation., Vol. 53, No. 5, May 2005

[9] A.N.Jadhav et. al. "Dynamic Analysis for DOA Estimation & Adaptive Beamforming for Smart Antenna." International Journal of Electronics & Communication Engg.ISSN0974-2166 Vol.4. No 4 (2011) p.p.415-423 IRP House .